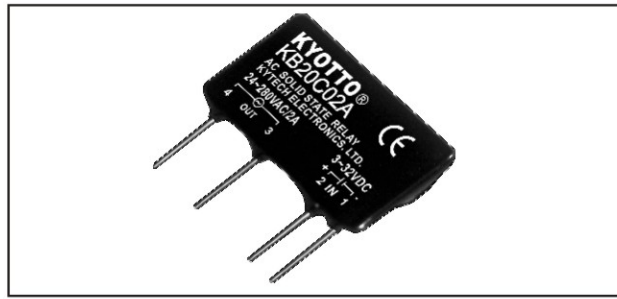


AC SOLID STATE RELAY

**KB20C02A
KB20C03A
KB20C04A
KB20C05A
KB20C06A**

KB SERIES



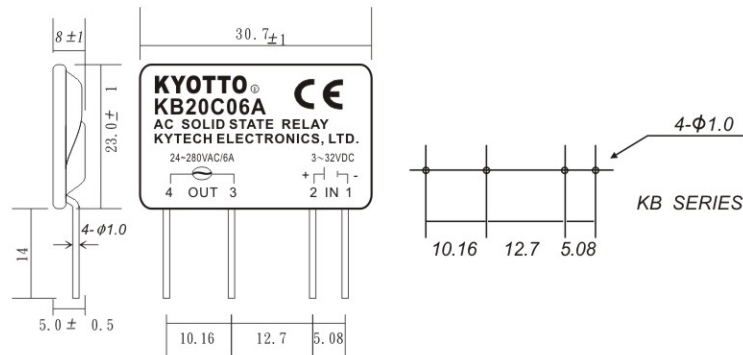
SPECIFICATIONS

MODEL NO.	CONTROL VOLTAGE RANGE	MUST TURN OFF VOLTAGE	INPUT IMPEDANCE	MAX LOAD CURRENT	LOAD VOLTAGE RANGE	MIN BLOCKING VOLTAGE	MAX OFF-STATE LEAKAGE	FREQUENCY RANGE	MAX 1-CYCLE PEAK SURGE
KB20C02A	3 TO 32 VDC	MAX 1.0 VDC	1.5 Kohm	2A	24-280VAC	600VAC	LESS 5 mA	47-70HZ	30A
KB20C03A	3 TO 32 VDC	MAX 1.0 VDC	1.5 Kohm	3A	24-280VAC	600VAC	LESS 5 mA	47-70HZ	40A
KB20C04A	3 TO 32 VDC	MAX 1.0 VDC	1.5 Kohm	4A	24-280VAC	600VAC	LESS 5 mA	47-70HZ	50A
KB20C05A	3 TO 32 VDC	MAX 1.0 VDC	1.5 Kohm	5A	24-280VAC	600VAC	LESS 5 mA	47-70HZ	55A
KB20C06A	3 TO 32 VDC	MAX 1.0 VDC	1.5 Kohm	6A	24-280VAC	600VAC	LESS 5 mA	47-70HZ	60A

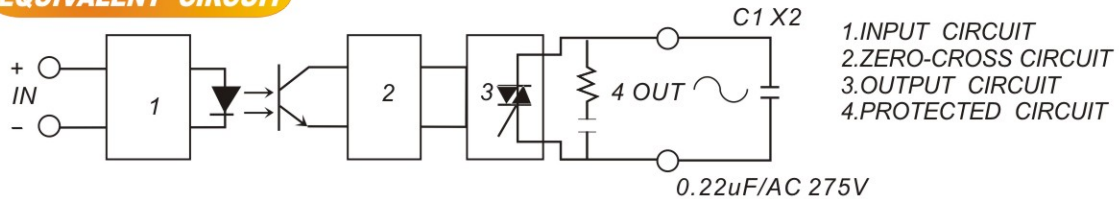
MODEL NO.	MAX OFF STATE dv/dt	MAX ON-STATE VOLTAGE DROP	ISOLATE IMPEDENCE	DIELECTRIC STRENGTH INPUT-OUTPUT	DIELECTRIC STRENGTH INPUT-OUTPUT-CASE	TURN ON TIME	TURN OFF TIME	CAPACITANCE IN-OUT	WEIGHT (g)
KB20C02A	100 V/ μ SEC	1.5VAC	10^9 ohm	2500 VACrms	—	LESS 2 mSec	LESS 1/2 AC CYCLE	LESS 15 PF	10 g
KB20C03A	100 V/ μ SEC	1.5VAC	10^9 ohm	2500 VACrms	—	LESS 2 mSec	LESS 1/2 AC CYCLE	LESS 15 PF	12 g
KB20C04A	100 V/ μ SEC	2.0VAC	10^9 ohm	2500 VACrms	—	LESS 2 mSec	LESS 1/2 AC CYCLE	LESS 15 PF	12 g
KB20C05A	200 V/ μ SEC	2.0VAC	10^9 ohm	2500 VACrms	—	LESS 2 mSec	LESS 1/2 AC CYCLE	LESS 15 PF	12 g
KB20C06A	200 V/ μ SEC	2.0VAC	10^9 ohm	2500 VACrms	—	LESS 2 mSec	LESS 1/2 AC CYCLE	LESS 15 PF	12 g

OUTLINE DIMENSIONS

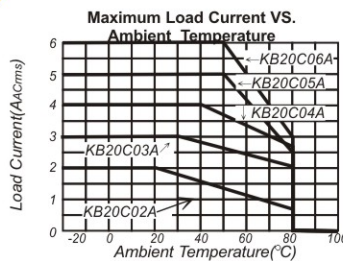
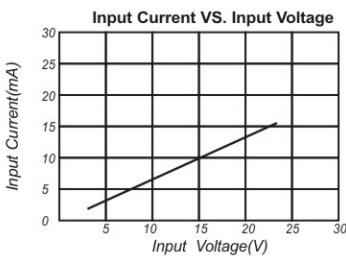
(unit:mm)



EQUIVALENT CIRCUIT



CHARACTERISTIC CURVES



Attention:

In order to be in compliance with the EMC Directive an additional X2 capacitor at the output is required if the SSR is operated as single component. In case the SSR is incorporated in an appliance the existing EMI filter may provide the required EMI suppression. The X2 capacitor must be placed as close as possible to the output terminals. See also above.

